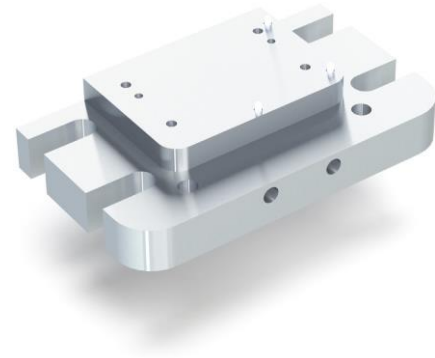


Heatsink for HHL

The HHL heatsink is a water-cooling circuit that can be used to mount the HHL and ensures it operates with ideal thermal performances. While the HHL can be mounted on third-party or proprietary heatsinks (including passive heatsinks) the performances are only guaranteed if the heat-sink allows keeping the backplate at +20° C with a 0.1° C/W thermal resistance.



Key Features

- Compatible with Alpes High Heat Load Housing
- Compact
- Requires no electrical input
- Uses running water in closed or open circuit

Key Applications

- Laboratory cooling
- Field cooling



Specifications

Parameter Name	Parameter Value	Note
Width	90 mm	
Length	52 mm	
Height	18 mm	
Water Connector Diameter	4.2 mm	Tubing not included
Screws	M3×6	Included (4×)
Required water flow	> 0.3 l/min	